

FANUC Robot CRX series



CRX-5iA

CRX-10iA

CRX-10iA/L

CRX-20iA/L

CRX-30iA

Safety

- **Contact Stop**

Safely stops with only a light contact with humans

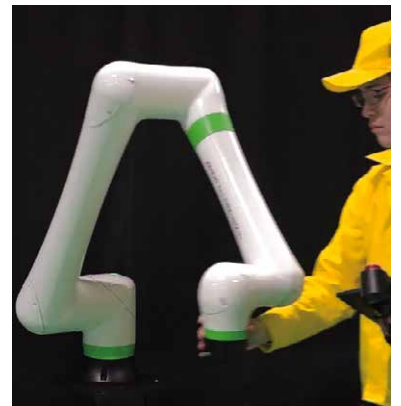


Safety certified to ISO 10218-1
(Including ISO/TS15066)

Ease of Use

- **Manual Guided Teach**

Intuitive and responsive manual guided teach



- **Many intelligent functions**

Latest intelligent functions, such as integrated robot vision and force sensors, are available

Ease of Use

• Plugin peripheral devices

- CRX Plugin compatible devices are listed on the FANUC web site with links to the device suppliers web site.
- The device suppliers can provide their custom menu and custom icons as plugin software.



Custom menu



Custom icons

• Tablet TP

New Tablet TP Interface



Easy operation focusing on simple functions

iPendant Interface



Full specifications

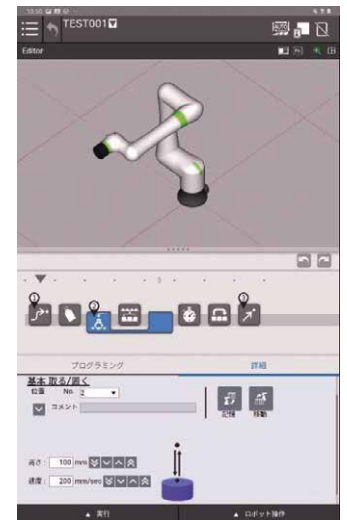
• Icon based programming

New intuitive touch panel user interface



Timeline

• Drag & drop icons to the timeline to teach



• Touch icons in the timeline to show details
• Modify parameters for commands

High Reliability

• Lifetime Maintenance



Repair Factory

- FANUC keeps providing services as long as the customers continue to use our products.
- FANUC stores sufficient spare parts of even discontinued products.

• Maintenance-Free (for 8 years)

- Motors, reducers, sensors, cables, grease, etc.

• Service First

FANUC service team delivers customer trust and confidence based on direction of service "Maximizing Uptime", "Global Service" and "Lifetime maintenance".

Service First

Conforming to the spirit of "Service First", FANUC provides lifetime maintenance to its products for as long as they are used by customers, through more than 270 service locations supporting more than 100 countries and regions throughout the world.

Maximizing Uptime

Global Service

Lifetime Maintenance

- Service and support network all over the world

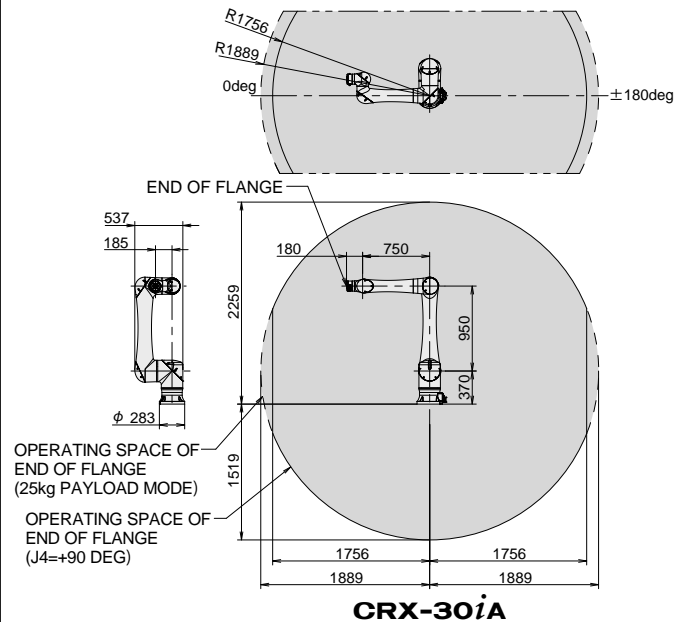
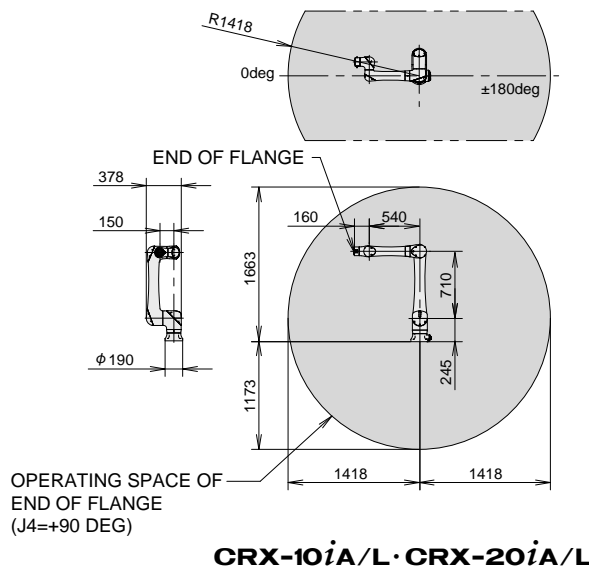
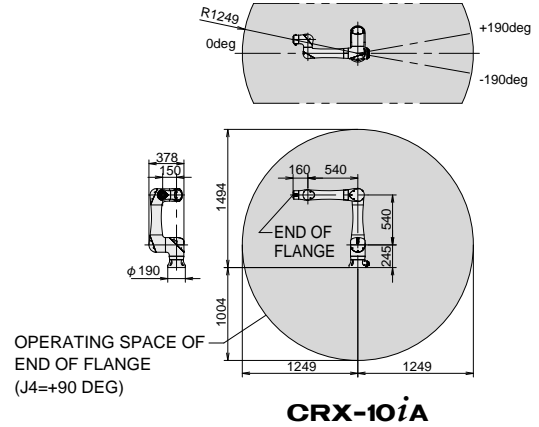
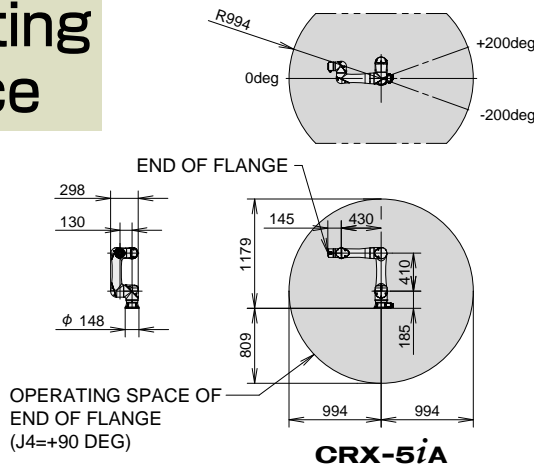
Lightweight Mechanical Unit

• Easy and safe installation

- Lifting and Installation by two people without requiring lifting equipment (CRX-30iA is not included)



Operating Space



Model		CRX-5iA	CRX-10iA	CRX-10iA/L	CRX-20iA/L	CRX-30iA
Type		6 axes (J1, J2, J3, J4, J5, J6)				
Reach		994 mm	1249 mm	1418 mm	1418 mm	1756 mm (1889 mm Note 7)
Installation (Note 1)		Floor, Upside-down, Angle mount				
Maximum speed (Note 2, 3)	Colaborative mode	1000 mm/s	1000 mm/s	1000 mm/s	1000 mm/s	1000 mm/s
	High speed mode	2000 mm/s	2000 mm/s	2000 mm/s	2000 mm/s	2000 mm/s
Max. load capacity at wrist		5 kg	10 kg	20 kg	30 kg (25 kg Note 7)	30 kg (25 kg Note 7)
Allowable load moment at wrist	J4 axis	19.0 Nm	34.8 Nm	70.0 Nm	115.0 Nm (100.0 Nm Note 8)	115.0 Nm (100.0 Nm Note 8)
	J5 axis	15.4 Nm	26.0 Nm	64.0 Nm	85.0 Nm	85.0 Nm
	J6 axis	6.7 Nm	11.0 Nm	30.0 Nm	32.0 Nm	32.0 Nm
Allowable load inertia at wrist	J4 axis	0.77 kg·m ²	1.28 kg·m ²	4.00 kg·m ²	4.70 kg·m ²	4.70 kg·m ²
	J5 axis	0.50 kg·m ²	0.90 kg·m ²	4.00 kg·m ²	4.00 kg·m ²	4.00 kg·m ²
	J6 axis	0.10 kg·m ²	0.30 kg·m ²	2.00 kg·m ²	2.00 kg·m ²	2.00 kg·m ²
Repeatability (Note 4)		±0.03 mm	±0.04 mm	±0.04 mm	±0.04 mm	±0.05 mm
Mass (Note 5)		25 kg	40 kg	41 kg	135 kg	135 kg
Noise (Note 6)		70 dB or less				
Degree of protection		Conform to IP67				
Installation environment		Ambient temperature : 0 to 45°C Ambient humidity : Normally 75%RH or less (No condensation allowed) : Short term (Within one month) 95%RH or less (No condensation allowed) Vibration acceleration : 4.9m/s ² (0.5G) or less				
Matching controller R-30iB Mini Plus	Rated Voltage	100-120V AC, 200-240V AC Single phase +10% -15%, 50/60Hz				
	Input power source capacity	1.5 kVA				
	Mass of controller	20 kg				22 kg
	Dimensions (WxDxH)	410x277x370 mm				
	Degree of protection	IP54				

Note 1) Angle mount needs motion range restriction according to with the payload. (CRX-5iA)
 Note 2) During short distance motions, the axis speed may not reach the maximum value stated.
 Note 3) It is necessary to set a motion speed according to risk assesment of system.
 Note 4) Compliant with ISO9283.
 Note 5) Without controller.

Note 6) This value is equivalent continuous A-weighted sound pressure level, which applied with ISO11201(EN31201). This value is measured with the following conditions.
 - Maximum load and speed
 - Operating mode is AUTO

Note 7) The operating space is expanded when 25kg payload mode is selected. (CRX-30iA)
 Note 8) J4-axis allowable load moment when 25kg payload mode is selected. (CRX-30iA)

Food Grade Variant

- Food grade variant is supported for all models.



CRX-5iA

CRX-10iA

CRX-10iA/L

CRX-20iA/L

CRX-30iA

FANUC WEB Site

FANUC
WEB Site
Home



CRX



Peripheral
Devices for
Plugin



Application
Examples



YouTube



FANUC CORPORATION

• Overseas Affiliated Companies

FANUC America Corporation
FANUC Europe Corporation, S.A.
SHANGHAI-FANUC Robotics CO., LTD.
KOREA FANUC CORPORATION
TAIWAN FANUC CORPORATION
FANUC INDIA PRIVATE LIMITED
FANUC SINGAPORE PTE. LTD.
FANUC THAI LIMITED
FANUC MECHATRONICS (MALAYSIA) SDN. BHD.
PT. FANUC INDONESIA
FANUC OCEANIA PTY. LIMITED
FANUC SOUTH AFRICA (PROPRIETARY) LIMITED

Phone: (+1)248-377-7000
Phone: (+352)727777-1
Phone: (+86)21-5032-7700
Phone: (+82)55-278-1200
Phone: (+886)4-2359-0522
Phone: (+91)80-2852-0057
Phone: (+65)6567-8566
Phone: (+66)2-714-6111
Phone: (+60)3-3082-1222
Phone: (+62)21-4584-7285
Phone: (+61)2-8822-4600
Phone: (+27)11-392-3610

<https://www.fanucamerica.com/>
<https://www.fanuc.eu/>
<https://www.shanghai-fanuc.com.cn/>
<https://www.fkc.co.kr/>
<https://www.fanuctaiwan.com.tw/>
<https://www.fanucindia.com/>
<https://www.fanuc.com/fsp/>
<https://www.fanuc.com/ftth/>
<https://www.fanuc.com/fmm/>
<https://www.fanuc.com/fin/>
<https://www.fanucoceania.com.au/>
<https://fanuc.co.za/>

• Headquarters 3580, Shibokusa, Oshino-mura, Minamitsuru-gun
Yamanashi, 401-0597, JAPAN
Phone: (+81)555-84-5555 <https://www.fanuc.co.jp/>

• All specifications are subject to change without notice.
• No part of this catalog may be reproduced in any form.
• The products in this catalog are controlled based on Japan's "Foreign Exchange and Foreign Trade Law". The export from Japan may be subject to an export license by the government of Japan. Further, re-export to another country may be subject to the license of the government of the country from where the product is re-exported. Furthermore, the product may also be controlled by re-export regulations of the United States government. Should you wish to export or re-export these products, please contact FANUC for advice.

© FANUC CORPORATION, 2022

RCRALL(E)-05, 2024.4, Printed in Japan